

MICRO SWITCH
a Honeywell Division

FED. MFG. CODE 91929

SWITCH-BASIC

CATALOG LISTING

V7-2S17D8-201

CW-B8670

CATALOG LISTING
V7-2S17D8-201
PAGE 1 OF 1



ISSUE
6

REPLACES

RELEASE NO. PR-18505

CHECK

REVISIONS

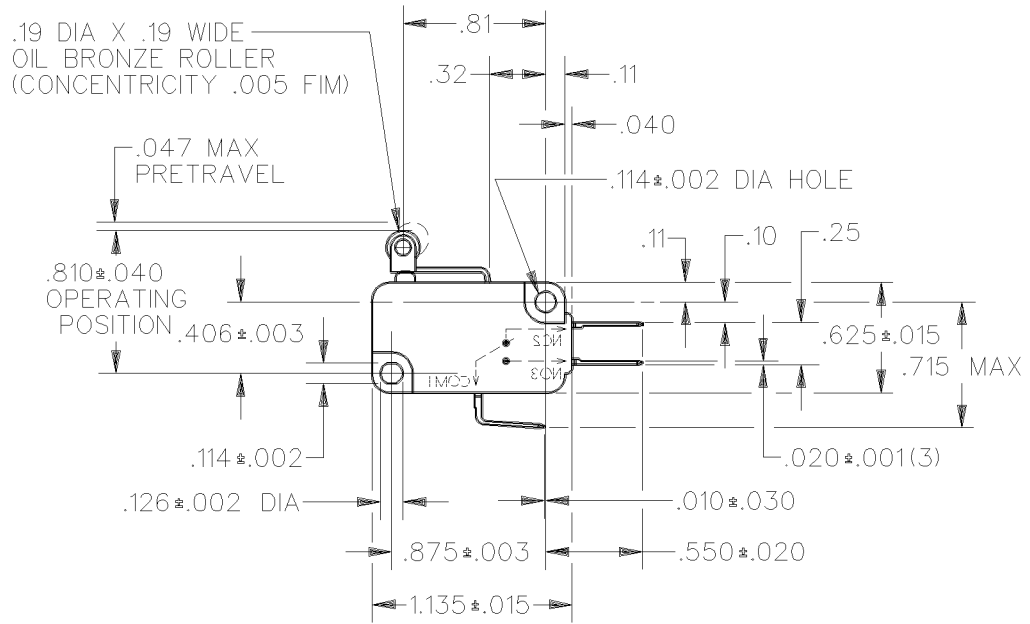
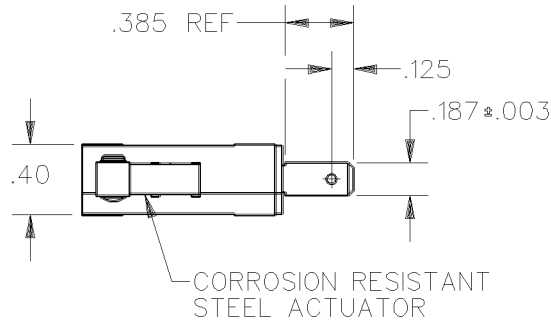
A	REL PR-18505	WLS	27 AUG 90
B	CO-69607	BAB	13 FEB 91
C	CO-76417	J A L	29 NOV 93
D	CO-77116	DCS	4 APR 94
E	CO-93311	TSM	22 OCT 98

CHECK

W L S 27 AUG 90

D A W 29 AUG 90

FORMTEK
DRAWN



NOTES

- 1 - IN INSPECTION, DO NOT BURN OUT - GOLD CONTACTS
- 2 - IN INSPECTION, DO NOT EXCEED 10 VDC, .1A RESISTIVE LOAD

THIS DRAWING COVERS A PROPRIETARY ITEM AND IS THE PROPERTY OF MICRO SWITCH, A DIVISION OF HONEYWELL. THIS DRAWING IS NOT TO BE COPIED OR USED WITHOUT THE APPROVAL OF MICRO SWITCH.

THIRD ANGLE PROJECTION



CHARACTERISTICS	ELECTRICAL DATA	SCALE FULL	DO NOT SCALE PRINT
OPERATING FORCE -----90 GRAM MAX	CONTACT ARRANGEMENT S P D T	UNLESS OTHERWISE SPECIFIED TOLERANCES ARE	
RELEASE FORCE -----7 GRAM MIN	0.1A 125 VAC L142	ONE PLACE (.0) ±.030	
DIFFERENTIAL TRAVEL -----.015 MAX		TWO PLACE (.00) ±.015	
OVERTRAVEL -----.040 MIN		THREE PLACE (.000) ±.005	
RELEASE TRAVEL -----.007 MIN		ANGLES ±	
		WEIGHT	

